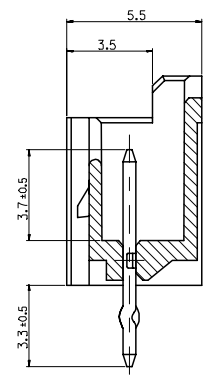
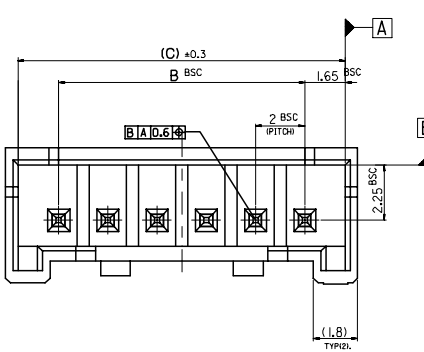
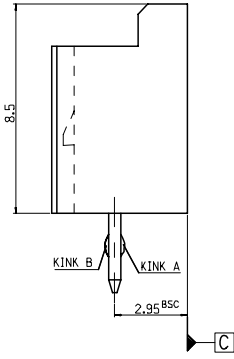
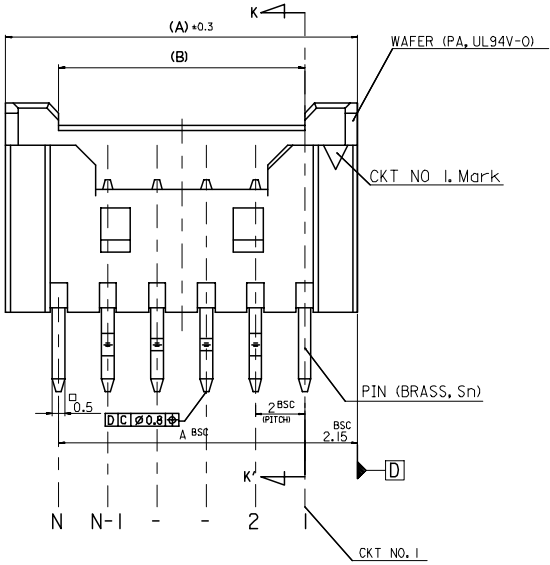
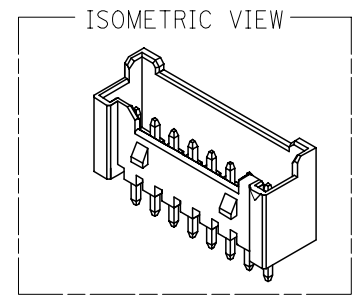
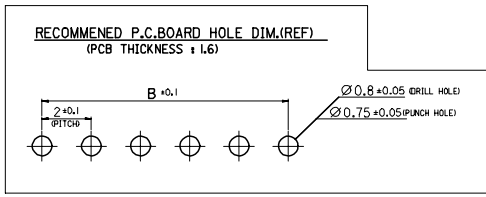


10 9 8 7 6 5 4 3 2 1



SECTION K-K'



LEGEND

SD-35362-****
 CKT NO. _____ COLOR _____

FINAL GOOD (BULK) 5 : SELECTIVE KINK (LEAD FREE)
 6 : NONE KINK (LEAD FREE)

SUB ASSY (TUBE) 7 : SELECTIVE KINK (LEAD FREE)
 8 : NONE KINK (LEAD FREE)

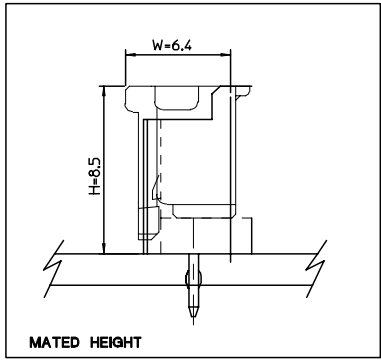
COLOR

- 0 : NATURAL
- 1 : BLACK
- 2 : RED
- 3 : YELLOW
- 4 : BLUE
- 5 : GREEN
- 6 : TUBE PACKING (Natural Color)
- 7 : TUBE PACKING (Red Color)
- 8 : TUBE PACKING (Blue Color)

- NOTES**
- ① MATERIAL : UNFILLED POLYAMIDE, UL94V-0
 PIN : BRASS, TIN PLATED
 2. FINISHES : TERMINAL : Sn 2-3um OVERALL
 3. PRODUCT SPECIFICATION : PS-35507-003
 4. MATING HOUSING : 35507-***0
 MATING TERMINAL : 50212-8000
 5. KINK

CKT NO	1	2	3	4	5	N-2	N-1	N
6 CKT OVER	-	A	B	-	-	B	A	-
5 CKT	A	B	-	B	A			
4 CKT	A	B	B	A				

31.3	28	32.3	3536215**	35362-15**	15
29.3	26	30.3	3536214**	35362-14**	14
27.3	24	28.3	3536213**	35362-13**	13
25.3	22	26.3	3536212**	35362-12**	12
23.3	20	24.3	3536211**	35362-11**	11
21.3	18	22.3	3536210**	35362-10**	10
19.3	16	20.3	3536209**	35362-09**	9
17.3	14	18.3	3536208**	35362-08**	8
15.3	12	16.3	3536207**	35362-07**	7
13.3	10	14.3	3536206**	35362-06**	6
12.3	8	12.3	3536205**	35362-05**	5
9.3	6	10.3	3536204**	35362-04**	4
.	.	.	ENG. NO.	ENG. NO.	CKT



LEAD FREE

30 over	±0.3
10 over 30 under	±0.25
10 under	±0.2
ANGLE	±3°
GENERAL TOLERANCE	

REVISED
 EC NO: KOR2007-0144
 DRWN:HJEONG 2007/05/11
 CHKD:YSOOKIM 2007/05/22
 APPR:YUNSIKKIM 2007/05/29

QUALITY SYMBOLS
 ▽=0
 ▽=0

GENERAL TOLERANCES (UNLESS SPECIFIED)

	mm	INCH
4 PLACES	±---	±---
3 PLACES	±---	±---
2 PLACES	±---	±---
1 PLACE	±---	±---
ANGULAR ±---°		

DRAFT WHERE APPLICABLE
 MUST REMAIN WITHIN DIMENSIONS

DIMENSION STYLE
 MM ONLY

DRAWN BY DATE
 YSOOKIM 1996/09/11

CHECKED BY DATE
 YSOOKIM 1996/09/11

APPROVED BY DATE
 CWLEE 1996/09/11

MATERIAL NO.
 ENTER PART

SIZE
 A3

SCALE
 5:1

DESIGN UNITS
 METRIC

THIRD ANGLE PROJECTION

TITLE
 2.0 W/B WAFER ASS'Y
 -LEAD FREE-

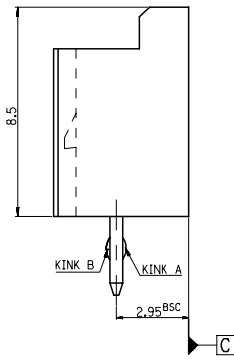
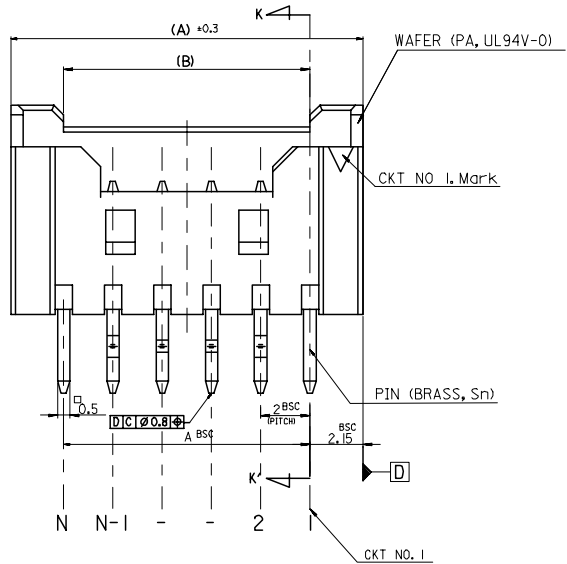
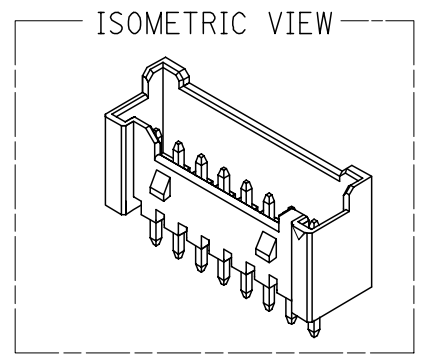
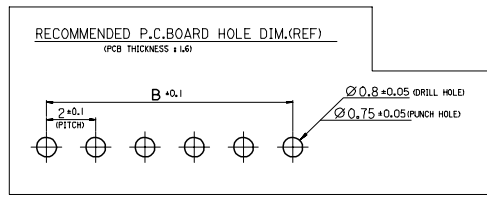
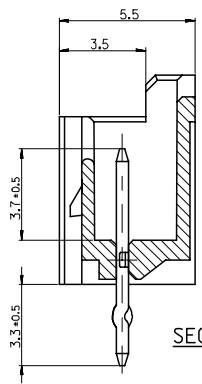
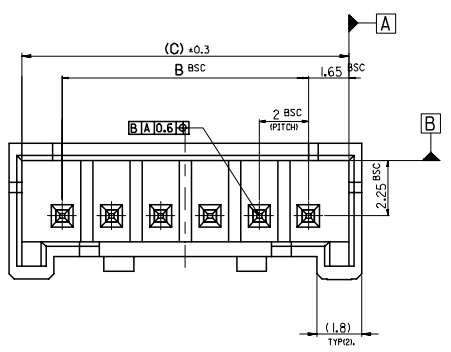
MOLEX MOLEX INCORPORATED

DOCUMENT NO.
 SD-35362-002

SHEET NO.
 1 OF 3

THIS DRAWING CONTAINS INFORMATION THAT IS PROPRIETARY TO MOLEX INCORPORATED AND SHOULD NOT BE USED WITHOUT WRITTEN PERMISSION

9 8 7 6 5 4 3 2 1



LEGEND

SD-35362-****

CKT NO. COLOR

FINAL GOOD (BULK)

- 5 : SELECTIVE KINK (LEAD FREE)
- 6 : NONE KINK (LEAD FREE)

SUB ASSY (TUBE)

- 7 : SELECTIVE KINK (LEAD FREE)
- 8 : NONE KINK (LEAD FREE)

COLOR

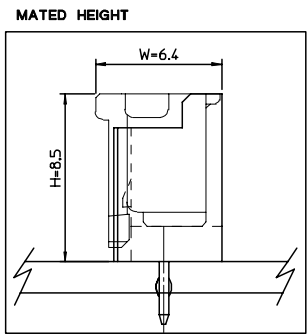
- 0 : NATURAL
- 1 : BLACK
- 2 : RED
- 3 : YELLOW
- 4 : BLUE
- 5 : GREEN
- 6 : TUBE PACKING (Natural Color)
- 7 : TUBE PACKING (Red Color)
- 8 : TUBE PACKING (Blue Color)

NOTES

- 1. MATERIAL : WAFER : UNFILLED POLYAMIDE, UL94V-0
PIN : BRASS
- 2. FINISHES : TERMINAL : Sn 2.3um OVERALL
- 3. PRODUCT SPECIFICATION : PS-35507-003
- 4. MATING HOUSING : 35507-**0*
MATING TERMINAL : 50212-8000
- 5. KINK

CKT	CKT NO	1	2	3	-	-	N-2	N-1	N
16#20 CKT	-	A	B	-	-	-	B	A	-

41.3	38	42.3	3536220**	35362-20**	20
39.3	36	40.3	3536219**	35362-19**	19
37.3	34	38.3	3536218**	35362-18**	18
35.3	32	36.3	3536217**	35362-17**	17
33.3	30	34.3	3536216**	35362-16**	16
(C)	.	.	MATERIAL NO.	ENG. NO.	CKT



LEAD FREE

30 over	±0.3
10 over 30 under	±0.25
10 under	±0.2
ANGLE	±3°
GENERAL TOLERANCE	

REVISID
EC NO: KOR2007-0144
DRWN:HJEONG 2007/05/11
CHKD:YSOOKIM 2007/05/22
APPR:YUNSIKKIM 2007/05/30

QUALITY SYMBOLS
▽=0
△=0

GENERAL TOLERANCES (UNLESS SPECIFIED)

	mm	INCH
4 PLACES	±---	±---
3 PLACES	±---	±---
2 PLACES	±---	±---
1 PLACE	±---	±---
ANGULAR	±---°	±---°

DRAFT WHERE APPLICABLE MUST REMAIN WITHIN DIMENSIONS

DIMENSION STYLE MM ONLY

SCALE 5:1

DESIGN UNITS METRIC

THIRD ANGLE PROJECTION

DRAWN BY YSOOKIM DATE 1996/09/11

CHECKED BY JKOH DATE 1996/09/11

APPROVED BY CWLEE DATE 1996/09/11

MATERIAL NO. ENTER PART

TITLE 2.0 W/B WAFER ASS'Y -LEAD FREE-

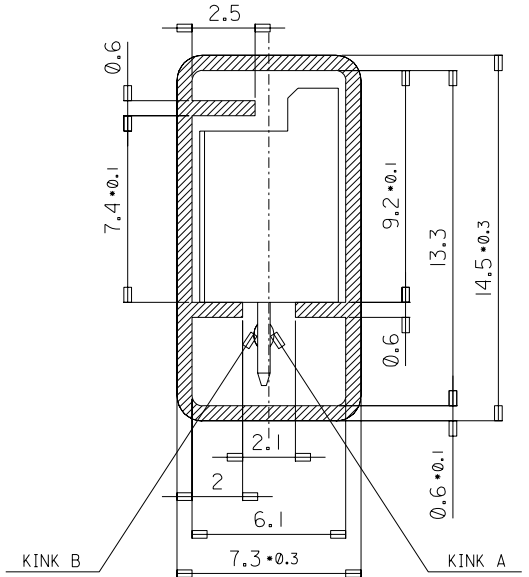
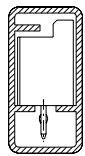
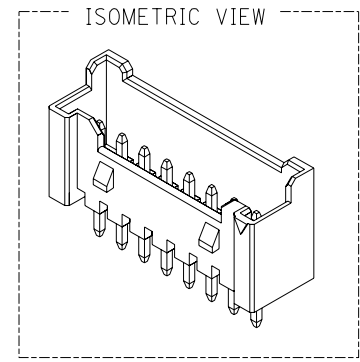
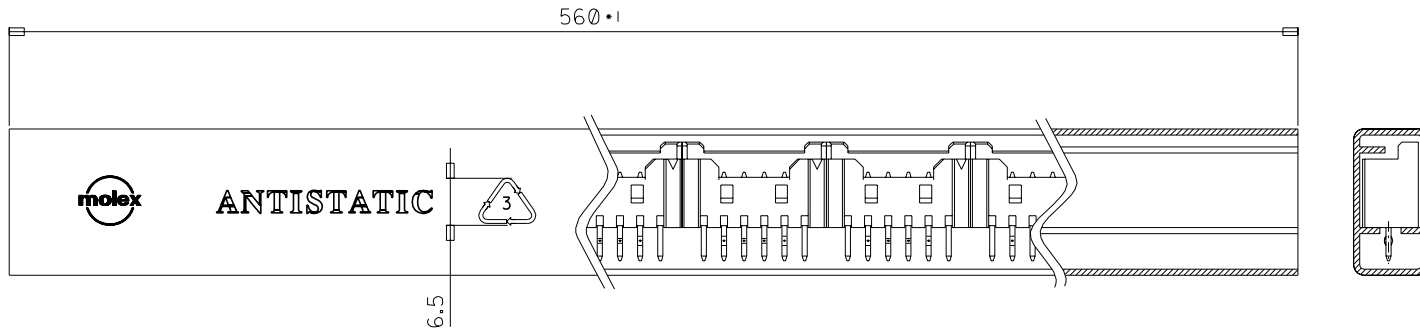
MOLEX MOLEX INCORPORATED

DOCUMENT NO. SD-35362-002

SHEET NO. 3 OF 3

THIS DRAWING CONTAINS INFORMATION THAT IS PROPRIETARY TO MOLEX INCORPORATED AND SHOULD NOT BE USED WITHOUT WRITTEN PERMISSION

DWG. NO. SD-35362-003
 SIMILAR ITEM
 PROJECT NO.
 C
 B
 DO NOT SCALE DRAWING DIMENSION IN METRIC



LEGEND.

Final GOOD (Bulk) 5 : SELECTIVE KINK
 6 : NONE KINK

Sub Assy (Tube) 7 : SELECTIVE KINK
 8 : NONE KINK

E-35362-*** **

2-20 Circuits - [CKT NO.] [COLOR & PACKING]

[KINK]

0 : NATURAL
 1 : BLACK
 2 : RED
 3 : YELLOW
 4 : BLUE
 5 : GREEN
 6 : TUBE PACKING (Natural Color)
 7 : TUBE PACKING (RED Color)
 8 : TUBE PACKING (BLUE Color)

- NOTES**
- MATERIAL : TUBE - TRANSLUCENT P.V.C (P-1000)
 Wafer - POLYAMIDE, UL94V-0
 PIN - BRASS SQ 0.5mm
 - BOW(CAMBER): 1.0mm MAX/Total Length
 - DIMENSIONS GIVEN ACROSS CENTER LINES ARE SYMMETRICAL ABOUT THOSE CENTER LINES WITH HALF THE TOTAL LENGTH.
 - TOTAL TUBE LENGTH : 560mm + -1mm
 - TWIST : 5° MAX./Total Length
 - BURRS : 0.2mm MAX.
 - SKREW : PRODUCTS MUST BE FLOWED SMOOTHLY WHEN THIS STICK IS PLACES 30° ANGLE.
 - THICKNESS : 0.6mm + -0.1mm
 - ARTWORK : PER E-35900-0434 (SILK SCREEN COLOR : RED)
 - APPLICABLE STOPPER(RUBBER) : 35900-0435

TABLE

QTY	Material NO.	ENG. NO.	CKT
10	20**	-20**	20
10	19**	-19**	19
10	18**	-18**	18
10	17**	-17**	17
15	16**	-16**	16
15	15**	-15**	15
15	14**	-14**	14
15	13**	-13**	13
15	12**	-12**	12
20	11**	-11**	11
20	10**	-10**	10
25	09**	-09**	9
25	08**	-08**	8
30	07**	-07**	7
35	06**	-06**	6
40	05**	-05**	5
50	04**	-04**	4
60	03**	-03**	3
70	3536202**	35362-02**	2
QT'y	Material NO.	ENG. NO.	CKT

KINK TABLE(FOR 35362-**)**

CKT NO	1	2	3	4	5	N-2	N-1	N
6 CKT OVER	-	A	B	-	-	B	A	-
5 CKT	A	B	-	B	A			
4 CKT	A	B	B	A				
3 CKT	A	B	A					
2 CKT	None Kink							

RELEASED EC NO. KOR2004-0137 DRAWN: YSOOKIM 04/02/25 CHK: YUNSIKKIM APPR: C.W.LEE	QUALITY SYMBOLS MAJOR CRITICAL	GENERAL TOLERANCES: (UNLESS SPECIFIED) mm INCH 4 PLACES ±0. ±. 3 PLACES ±0. ±. 2 PLACES ±0. ±. 1 PLACE ±0.2 ±.	SCALE 5 : 1 DESIGN UNITS <input checked="" type="checkbox"/> mm <input type="checkbox"/> INCH	THIRD ANGLE PROJECTION <input type="checkbox"/> mm <input type="checkbox"/> INCH <input checked="" type="checkbox"/> mm ONLY	DIMENSIONS:	SHT REV REVISE ON CAD ONLY	
							DRAWN BY & DATE Y.SOO.Kim 00/12/11 CHECKED BY & DATE J.K.OH APPROVED BY & DATE C.W.LEE
CAD FILENAME SD35362-003.DGN	MATERIAL NO. SEE TABLE	DRAWING NO. SD-35362-003	SHEET NO. 1 of 1	THIS DRAWING CONTAINS INFORMATION THAT IS PROPRIETARY TO MOLEX INCORPORATED AND SHOULD NOT BE USED WITHOUT WRITTEN PERMISSION.			SIZE B

LEAD FREE